

Z-Vent[®] Concentric

Engineered for safety and ease of installation

Z-Vent[®] Concentric special gas vent system designed for use with the latest Category I, II, III, IV residential and commercial gas heating equipment.

- **Patented sealing system ensures safe exhaust of combustion gases**
- **Patented design allows for ease of installation and professional results**
- **Designed for reduced clearance installations**
- **Vertical or horizontal installations**
- **Allows for a single wall penetration**

Typical applications:

Tankless water heaters
Boilers
Water heaters
Space heaters

Unitized construction eliminates field assembly of inner and outer flues.

Precision pipe and fittings have been engineered for optimum appliance performance. Z-Vent[®] Concentric provides quick, positive, fastener free installation.



2SVCE__ (45,90)

2SVCP__



Concentric utilizes a double wall screw joint design.

Special Order Concentric Vent/Air Diameters in Inches:

3/4, 3/5, 4/6, 4/7, 5/7, 5/8, 6/8, 6/9, 7/10, 8/11 or 8/12

Visit: [Z-VentBLU Dimensional Data](#) for 2.4/4 diameters

The information provided within is for informational purposes only. We have made every effort to ensure the accuracy of the provided information and assume no responsibility for any loss or damage due to errors or omissions or to the use or misuse of any information supplied. It is impossible to test all products under all conditions to which they might be subjected in the field. It is therefore the buyer and/or end users' responsibility to test all products under the conditions that duplicate the service conditions prior to installation. All improvements, all specifications are subject to change without prior notice. It is the buyer and/or end users' responsibility to review our complete **Terms and Conditions of Sale** located on our web sites at: www.novaflex.com | www.z-flex.com | www.flexmaster.com.

02.2025

IN USA

Bedford, New Hampshire

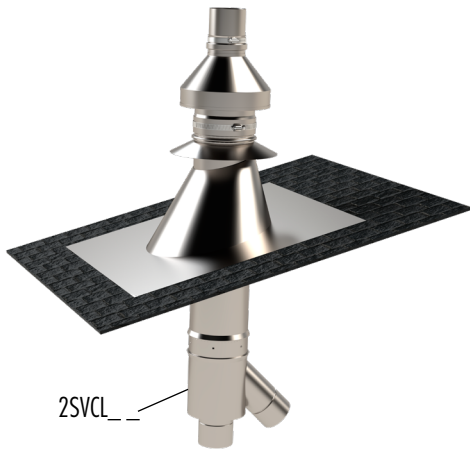
20 Commerce Park North
Bedford, NH 03110-6911
tel (603) 669-5136
fax (603) 669-0309
800-654-5600

IN CANADA

Toronto, Ontario

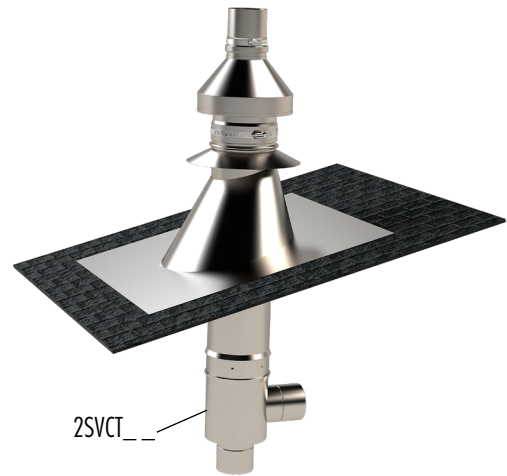
452 Attwell Drive
Etobicoke, ON M9W 5C3
tel (416) 679-0045
fax (416) 679-0051

Typical Concentric Termination Options



2SVCL__

Vertical with Lateral 45° Wye



2SVCT__

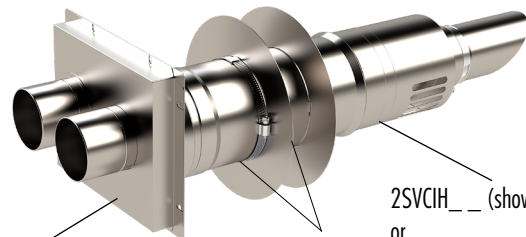
Vertical with Tee



2SVSACPVC_



2SVSACPVC_

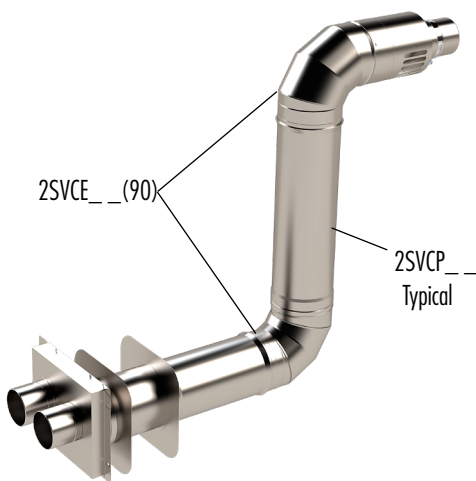


2SVCA
Typical

2SVSTR__

Horizontal

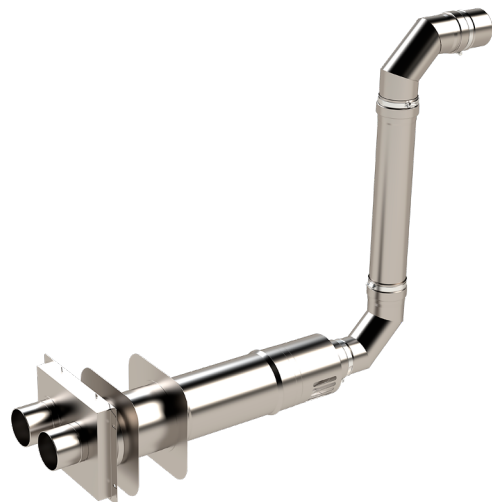
2SVCIH__ (shown)
or
2SVCI__ Shown in other images



2SVCE__(90)

2SVCP__
Typical

Horizontal with Concentric Snorkel



Horizontal with Single Wall Vent Snorkel

Visit: [Z-Vent Dimensional Data](#) for a complete list of concentric parts and single wall vent termination options.

Z-Vent Concentric must be approved by appliance manufacturer.